

# Making a Periscope

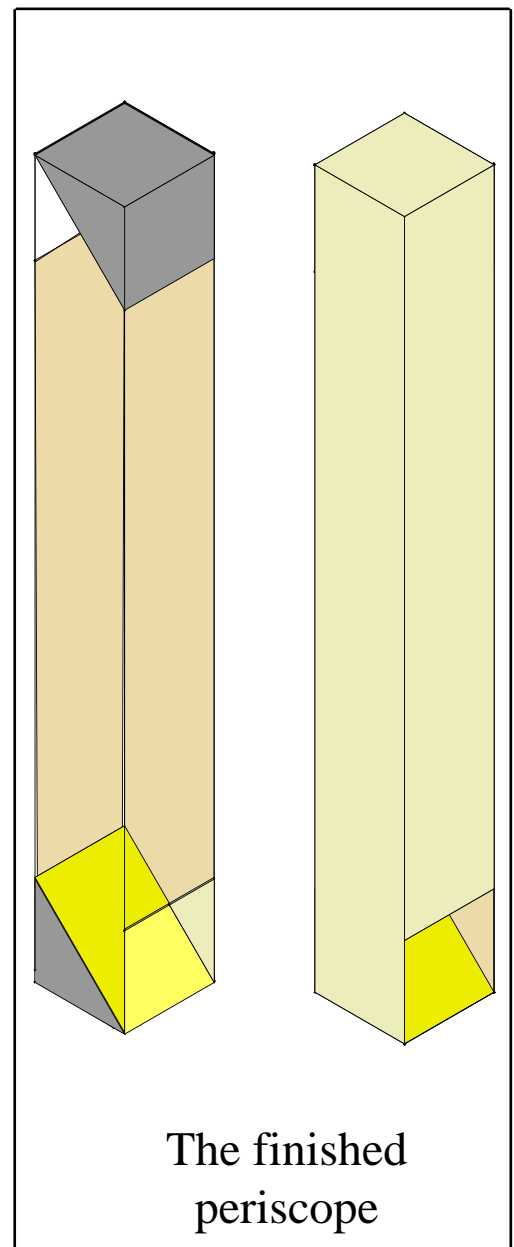
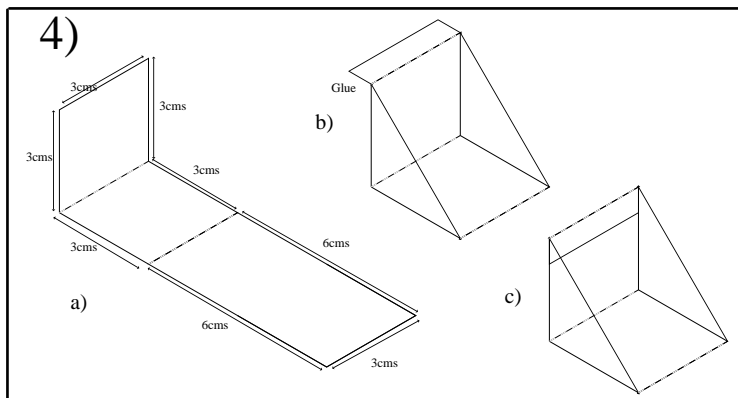
- You will need :
- An empty tinfoil, cling film, and greaseproof paper box.
  - Sticky tape or glue
  - A 90mm by 65mm cutable mirror
  - Cardboard

- Equipment needed :
- A pair of scissors
  - A ruler
  - A permanent marker pen, preferably quite thin

## Instructions :

- 1) Cut a square hole the width of the box at the bottom of the box.
- 2) Turn the box over, so the first side is on the table, now cut a square hole at the top.
- 3) Cut the cardboard the same width as the hole, and four times the width of the hole for the length. Measure down this the width of the hole, and again.
- 4) Bend into a triangle so the first side to the second is a right angle, then glue using the excess length on the last side over the top.
- 5) On the largest side now fix a mirror, cut to the same size as the side.
- 6) Now make another one, as per instructions 3, 4 and 5.
- 7) Now fix one at the bottom of the box facing out, and one at the top with the mirror facing out.

As these instructions are quite complicated. To the side is what the finished periscope should look like.



The finished periscope